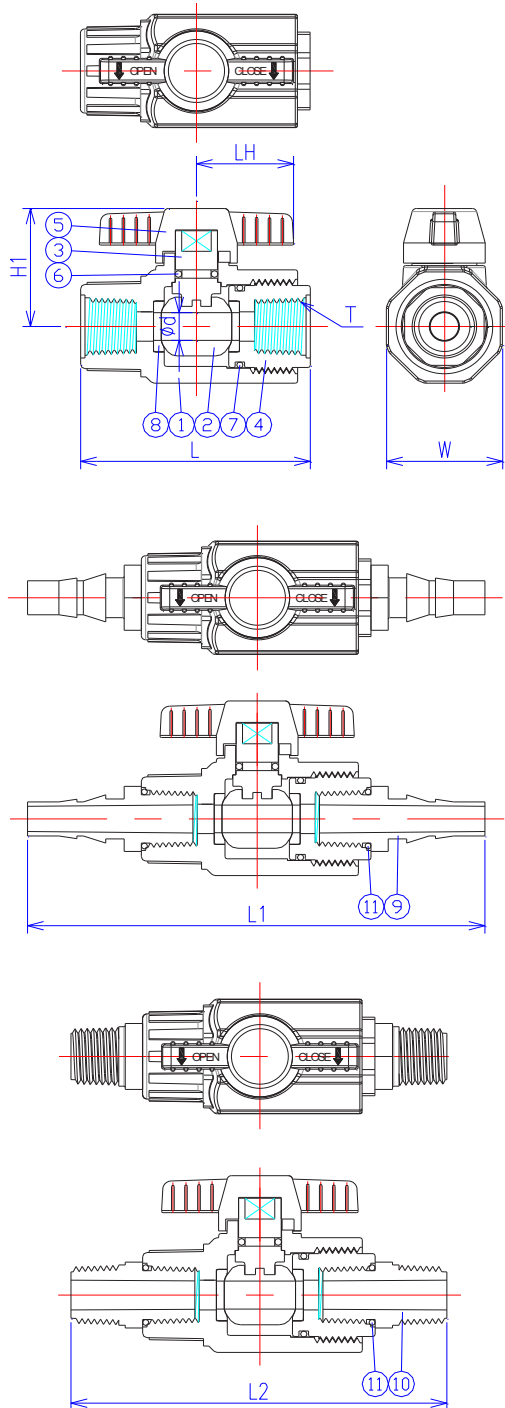


LAB COCK

考克閥 (取樣閥) PVC 1/4"

DATA

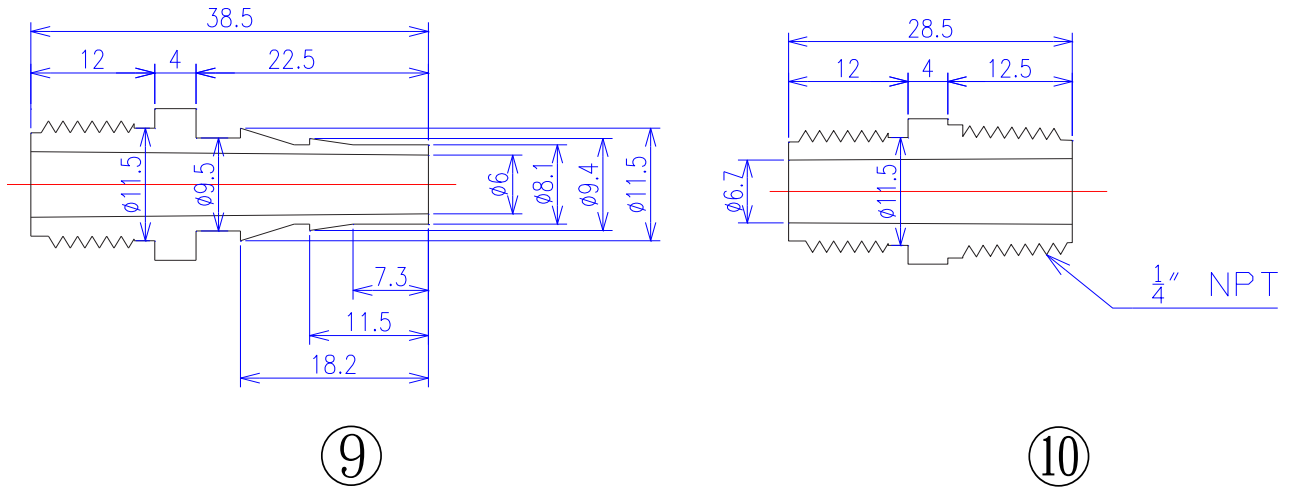
- Working pressure : 150 PSI / 73° F
- FULL port design
- PTFE Seat
- Brand : SUPERTUNG



No	PARTS NAME	Q'TY	MATERIAL
1	BODY	1	PVC
2	BALL	1	PVC
3	STEM	1	PVC
4	CARRY	1	PVC
5	HANDLE	1	ABS
6	O-RING	1	EPDM , FPM
7	O-RING	1	EPDM , FPM
8	SEAT	2	PTFE
9	HOSE NOZZLE	2	PVC
10	DOUBLE NIPPLE	2	PVC
11	O-RING	4	EPDM , FPM

SIZE	W	L	LH	H1	d	T	L1	L2
1/4" (6mm)	27	53.5	22.5	28	6.6	1/4" NPT	106.5	86.5

Parts Dimension (item ⑨ ⑩)



Technical Information

Size	Hydrostatic Testing		O-ring tests air (kgf/cm ²)	Cv
	Burst pressure water (kgf/cm ²) minimum	Long-term behaviour test water (kgf/cm ²)		
1/4" (DN6)	42	22	6	10

