

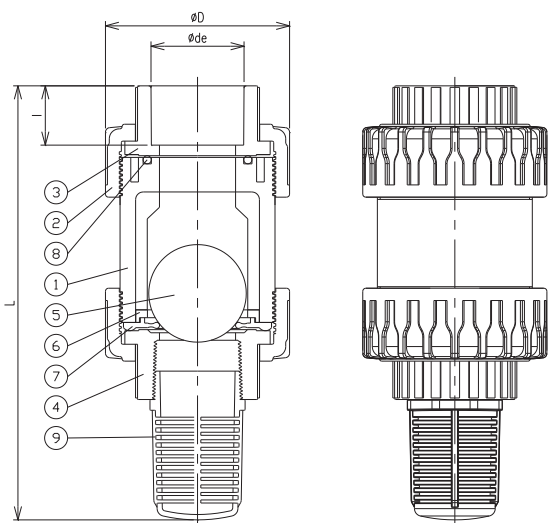
TRUE UNION FOOT BALL CHECK VALVE

福特閥 (底閥) PVC & CPVC 1/2" ~ 2-1/2"*



DATA

- Working pressure : 150 PSI / 73°F
- Full port design
- Easy Maintenance
- True union design
- EPDM or FPM seals
- Brand : SUPERTUNG



No	PARTS NAME	Q'TY	MATERIAL
1	BODY	1	PVC,CPVC
2	NUT	2	PVC,CPVC
3	CONNECTOR	1	PVC,CPVC
4	CONNECTOR-IN	1	PVC,CPVC
5	BALL	1	PVC,CPVC
6	RING	1	PVC,CPVC
7	SEAT	1	EPDM,FPM
8	O-RING	1	EPDM,FPM
9	FILTER	1	PVC,CPVC

SIZE	D	L	ANSI		DIN		JIS		CNS		NPT	BSPT	BSPF
			φde	I	φde	I	φde	I	φde	I			
1/2" (15mm)	56	175	21.34	22.5	20	20	22	22.5	22	22.5	14	14	14
3/4" (20mm)	56	175	26.67	25.7	25	23	26	25.7	26	25.7	14	14	14
1" (25mm)	66	201	33.4	28.9	32	26	32	28.9	34	28.9	11.5	11	11
1-1/4" (32mm)	98	233	42.16	33.8	40	31	38	33.8	42	33.8	11.5	11	11
1-1/2" (40mm)	98	247	48.26	35	50	34	48	35	48	35	11.5	11	11
2" (50mm)	120	283	60.32	38.5	63	38.5	60	38.5	60	38.5	11.5	11	11
2-1/2" (65mm)*	120	287	73.02	41.5	76	41.5	76	41.5	76	41.5	8	11	11

*Decrement Type : indise diameter 50mm (減量型)

Technical Information

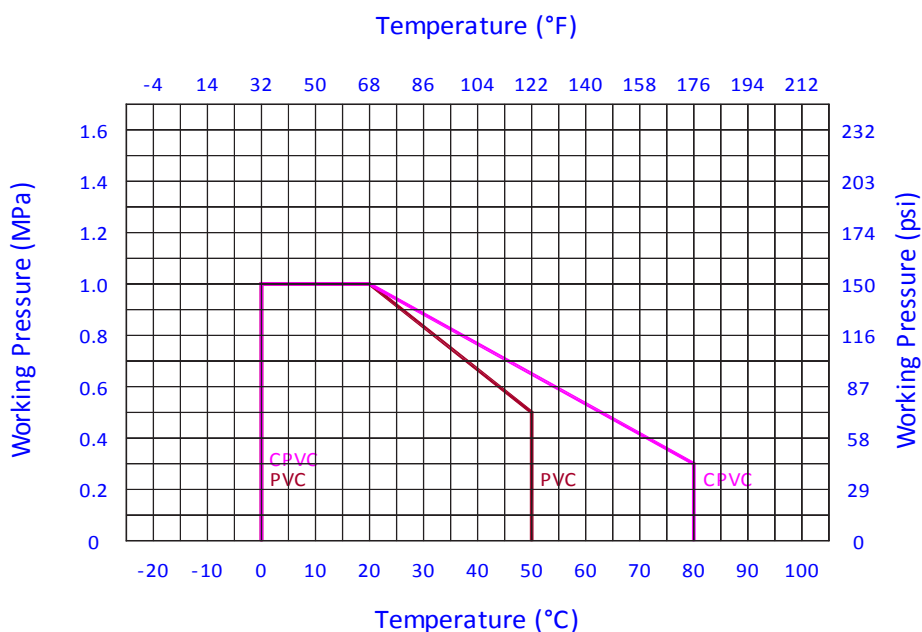
Item	Description	Size	Material		
			Body	Seat	O-ring
(1)	True Union Foot Ball Check Valve	1/2"(DN15)	PVC,CPVC	EPDM,FPM	EPDM,FPM
(2)	True Union Foot Ball Check Valve	3/4"(DN20)	PVC,CPVC	EPDM,FPM	EPDM,FPM
(3)	True Union Foot Ball Check Valve	1"(DN25)	PVC,CPVC	EPDM,FPM	EPDM,FPM
(4)	True Union Foot Ball Check Valve	1-1/4"(DN32)	PVC,CPVC	EPDM,FPM	EPDM,FPM
(5)	True Union Foot Ball Check Valve	1-1/2"(DN40)	PVC,CPVC	EPDM,FPM	EPDM,FPM
(6)	True Union Foot Ball Check Valve	2"(DN50)	PVC,CPVC	EPDM,FPM	EPDM,FPM
(7)	True Union Foot Ball Check Valve	2-1/2"(DN65)*	PVC,CPVC	EPDM,FPM	EPDM,FPM

*Decrement Type : inside diameter 50mm(減量型)

Size	Hydrostatic Testing		Cv
	Burst pressure water (kgf/cm ²) minimum	Long-term behaviour test water(kgf/cm ²)	
1/2"(DN15)	25	15	8
3/4"(DN20)	25	15	15
1"(DN25)	25	15	29
1-1/4"(DN32)	25	15	75
1-1/2"(DN40)	25	15	90
2"(DN50)	25	15	140
2-1/2"(DN65)*	25	15	140

*Decrement Type : inside diameter 50mm(減量型)

Working pressure vs. Temperature



FILTER

濾網 - 福特閥(底閥)用 PVC & CPVC & PPG

DATA

- Working pressure : 150 PSI / 73° F
- Full port design
- Easy Maintenance
- Material : PVC , CPVC , PPG



SIZE	D	L	H1	H	W	T	Flow Ratio
3/4" (20mm)	30	63	13.5	6	1.9	NPT,BSPT	2.5
1" (25mm)	38	74	13.5	6	1.9	NPT,BSPT	2.6
1-1/4" (32mm)	47	79	15	6	2	NPT,BSPT	2.2
1-1/2" (40mm)	54	96	18.5	6	2	NPT,BSPT	2.1
2" (50mm)	66	97	18.5	7	2	NPT,BSPT	1.7
3" (80mm)	97	132	25	9	2.3	NPT	1.6
4" (100mm)	125	142	27	10	2.3	NPT	1.3

